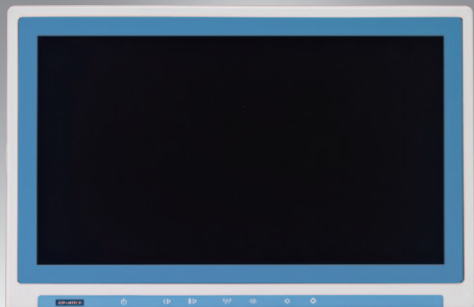


POC-W211

21.5" Widescreen Point-of-Care Terminal with Fanless and Slim Design



Features

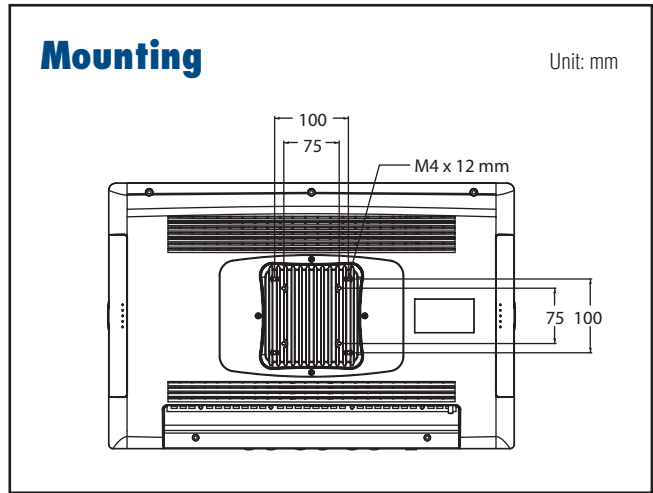
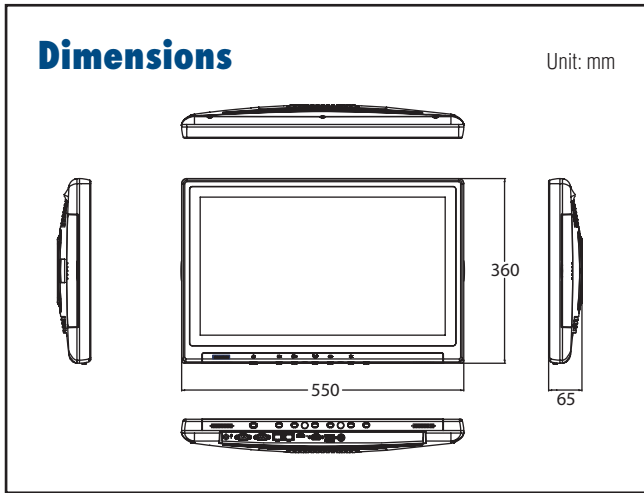
- Runs on an Intel® Core™ i7 4th generation processor with a fanless, high performance profile
- Ultra-thin display, only 65 mm slim at its widest point
- Capable of displaying crystal clear images on its 21.5" wide-screen display
- Isolated design provides unique electric leakage protection for COM ports and LAN ports
- IPX1 water resistant enclosure with additional IP65 dust-tight front panel
- UL60601-1/EN60601-1 third edition certified ensures highest levels of safety and reliability
- Optional Bluetooth, RFID, Blu-ray RW, inner WLAN module, and Li-ion battery pack



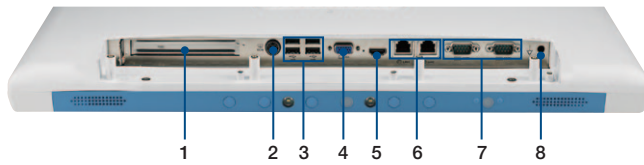
Specifications

Computing System	Chipset	Intel QM87	
	CPU	Intel® Core™ i7-2655LE Processor (4 M Cache, 2.2 GHz) Intel® Core™ i3-2340UE Processor (3 M Cache, 1.3 GHz)	
	Memory	Up to 16 GB DDR3 1333 MHz SDRAM	
	Graphics Controller	Integrated Intel HD Graphic	
	Operating System	XP, Win 7	
Display	Display Size	21.5" wide TFT color LCD (16:9)	
	Type	IPS	
	Max. Resolution	1920 x 1080 (H x V)	
	Max. Colors	16.7 M colors (6-bits+A-FRC)	
	Pixel Pitch (um)	247.5 x 247.5	
	Viewing Angle	178°/178°	
	Luminance	250 cd/m ²	
	Backlight	LED	
Expansion Slot	Mini PCIe	Mini PCIe 2 x mini PCIe (1 full-size, 1 half-size)	
	PCIe	PCIe 1x PCIe (x4) slot	
	Serial Ports	1 x RS-232 (isolated) and 1 x RS-232/422/485 (isolated) serial port	
I/O Ports	USB 2.0 Ports	6	
	VGA/DVI Port	1 x VGA port	
	Speakers (1W)	2	
	LAN	2 x Gigabit Ethernet (isolated) interfaces (RJ-45)	
	HDMI	1 x HDMI out	
Storage	HDD	1 x 2.5" SATA	
Power Supply	DC Model	AC/DC adapter (Sinpro Model no.HPU101-107)	
	Input Voltage	90 ~ 260 V _{ac} , 1.35 ~ 0.5 A, 47 ~ 63 Hz	
	Output Voltage	+18 V _{dc} , 5.55 A max. (100 watts)	
Optional Functions	Battery	3S2P 4200mAh, support 2hr13min backup operation Adding the battery will prevent the PCIe card from being inserted	
	Smart Card Reader	Complies with ISO7816-1,2,3,T=1 and T=0 protocol	
	WLAN	Integrated wireless 802.11 a/b/g/n connection & internal antenna	
	RFID	13.56 MHz with ISO-15693 & ISO-14443A/B and active tag function	
	Bluetooth	Integrated Bluetooth v2.0 + EDR	
Optional Touchscreen	Optical Devices	DVD-RW SATA, Blu-ray RW option	
	Type	Analog Resistive (Clear & AG)	Projected Capacitive 2-points (AR)
	Resolution	Continuous	Continuous
	Light Transmission	80±3%	90±3%
	Controller	COM interface	USB interface
IP Rating	Durability	350 million touches / Over 50 million touches	
	Front Panel	IP65	
Certifications	Entire System	IPX1	
		UL60601-1/EN60601-1, CE & FCC Class B certified, CCC	
Environment	Temperature	0 ~ 40° C (32 ~ 104° F) (Operating)	
	Humidity	10 ~ 95% @ 40° C (Non-condensing)	
	Shock Resistance	20 G peak acceleration (11 ms duration)	
Physical Characteristics	Dimensions (W x D x H)	550 x 360 x 65 mm (21.65" x 14.17" x 2.56")	
	Weight	6.9 kg (15.2 lb)	

*Test results by Passmark BatteryMon V2.1 with a minimum of peripherals connected.

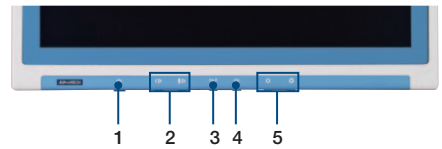


Rear I/O Ports



- (1) PCIe card slot
- (2) Power DC-IN
- (3) 2 x USB 2.0 ports
- (3-1) 2 x USB 3.0 ports
- (4) VGA port
- (5) HDMI out port
- (6) 2 x Gigabit Ethernet interfaces (RJ-45)
- (7) 1 x RS-232 (isolated) and 1 x RS-232/422/485 (isolated) serial port
- (8) Equipotential Terminal Pin

Function Keys

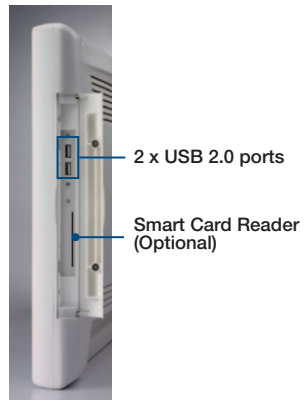


- (1) Power
- (2) Volume Up/Down
- (3) Touchscreen Status Control
- (4) Read Light Control
- (5) Brightness Increase/Decrease

Left Side I/O



Right Side I/O



Ordering Information

Part Number	Description
POC-W211-A01D-ATE	Core i7 2.2G/4G RAM/RES. TS/AG Type
POC-W211-A01D-ALE	Core i7 2.2G/4G RAM/RES. TS/Clear Type
POC-W211-A01D-ACE	Core i7 2.2G/4G RAM/PCAP TS/AR Type
POC-W211-B01D-ATE	Core i3 1.3G/4G RAM/RES. TS/AG Type

Accessories

Part Number	Description
PDC-W215-STAND-H3E	PDC-W215 STAND_H3-741L type_6~12kg Black
1702002600	Power Cable (USA) 1.8 M
1702002605	Power Cable (Europe) 1.8 M

Optional Modules

Part Number	Description
POC-W211-BTTE	Battery module (4200mAh Li-ion battery) for POC-W211 Intel Core i series
POC-W211-RF0E	RFID module for POC-W211
POC-W211-BT0E	Bluetooth module for POC-W211
POC-W211-WF0E	Wireless module (802.11a/b/g/n) for POC-W211
POC-W211-SC0E	Smart Card module for POC-W211
POC-W211-RW0E	DVD+/-RW module (LG SLIM 8X SATA) for POC-W211